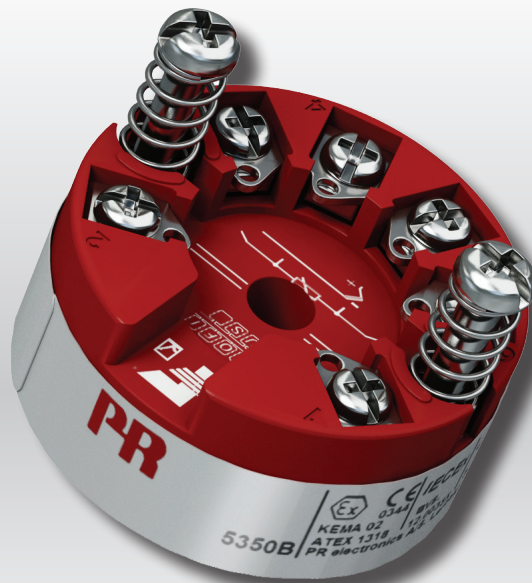


PERFORMANCE
MADE
SMARTER

Product manual

5350

**PROFIBUS PA / FOUNDATION
Fieldbus transmitter**



TEMPERATURE | I.S. INTERFACES | COMMUNICATION INTERFACES | MULTIFUNCTIONAL | ISOLATION | DISPLAY

No. 5350V115-UK
From serial no.: 181815001

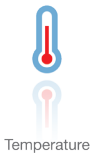
PR
electronics

6 Product Pillars

to meet your every need

Individually outstanding, unrivalled in combination

With our innovative, patented technologies, we make signal conditioning smarter and simpler. Our portfolio is composed of six product areas, where we offer a wide range of analog and digital devices covering over a thousand applications in industrial and factory automation. All our products comply with or surpass the highest industry standards, ensuring reliability in even the harshest of environments and have a 5-year warranty for greater peace of mind.



Temperature

Our range of temperature transmitters and sensors provides the highest level of signal integrity from the measurement point to your control system. You can convert industrial process temperature signals to analog, bus or digital communications using a highly reliable point-to-point solution with a fast response time, automatic self-calibration, sensor error detection, low drift, and top EMC performance in any environment.



I.S. Interface

We deliver the safest signals by validating our products against the toughest safety standards. Through our commitment to innovation, we have made pioneering achievements in developing I.S. interfaces with SIL 2 Full Assessment that are both efficient and cost-effective. Our comprehensive range of analog and digital intrinsically safe isolation barriers offers multifunctional inputs and outputs, making PR an easy-to-implement site standard. Our backplanes further simplify large installations and provide seamless integration to standard DCS systems.



Communication

We provide inexpensive, easy-to-use, future-ready communication interfaces that can access your PR installed base of products. All the interfaces are detachable, have a built-in display for readout of process values and diagnostics, and can be configured via push-buttons. Product specific functionality includes communication via Modbus and Bluetooth and remote access using our PR Process Supervisor (PPS) application, available for iOS and Android.



Multifunction

Our unique range of single devices covering multiple applications is easily deployable as your site standard. Having one variant that applies to a broad range of applications can reduce your installation time and training, and greatly simplify spare parts management at your facilities. Our devices are designed for long-term signal accuracy, low power consumption, immunity to electrical noise and simple programming.



Isolation

Our compact, fast, high-quality 6 mm isolators are based on microprocessor technology to provide exceptional performance and EMC-immunity for dedicated applications at a very low total cost of ownership. They can be stacked both vertically and horizontally with no air gap separation between units required.



Display

Our display range is characterized by its flexibility and stability. The devices meet nearly every demand for display readout of process signals, and have universal input and power supply capabilities. They provide a real-time measurement of your process value no matter the industry, and are engineered to provide a user-friendly and reliable relay of information, even in demanding environments.

PROFIBUS PA / FOUNDATION Fieldbus transmitter 5350

Table of contents

Application	4
Technical characteristics	4
Mounting / installation	4
Applications	4
Order	5
Electrical specifications	5
Input connections	8
Output connections	9
Mechanical specifications	9
Mounting of sensor wires	9
Block diagram	10
Bus installation	10
ATEX Installation Drawing	11
IECEX Installation Drawing	15
FM / CSA Installation Drawing	18
NEPSI Installation Drawing	24
INMETRO Instruções de Segurança	26
Document history	29

PROFIBUS PA / FOUNDATION Fieldbus transmitter 5350

- PROFIBUS PA ver. 3.0
- FOUNDATION Fieldbus ver. ITK 4.6
- Automatic switch between protocols
- FISCO-certified
- Basic capability with F.F.

Application

- Linearized temperature measurement with RTD or TC sensor.
- Difference, average or redundancy temperature measurement with RTD or TC sensor.
- Linear resistance, potentiometer and bipolar mV measurement.

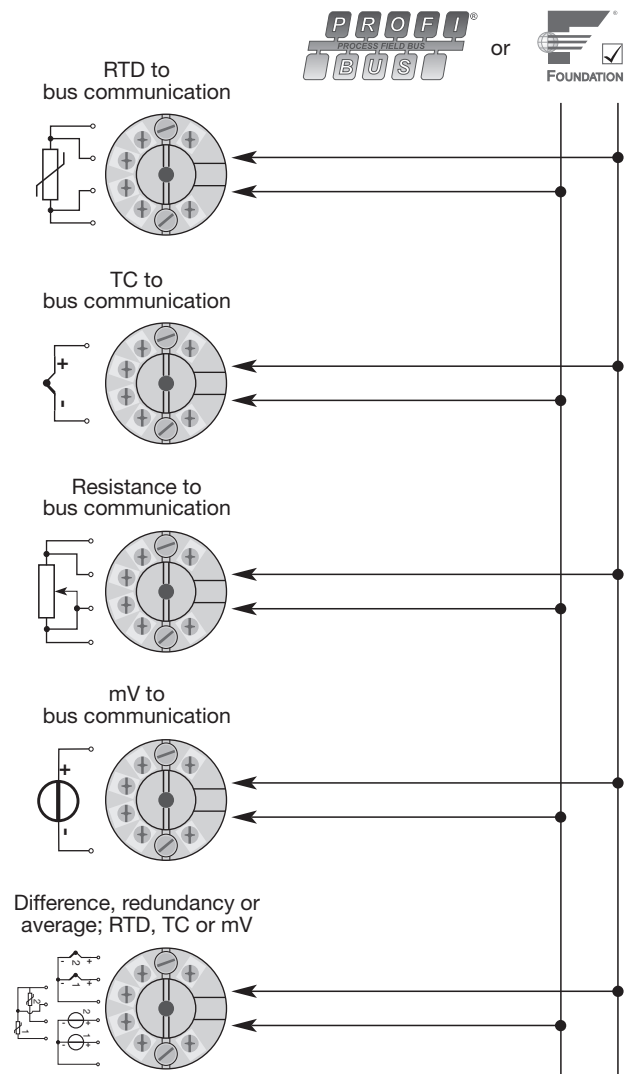
Technical characteristics

- Bus transmitter with both PROFIBUS PA and FOUNDATION Fieldbus communication. A unique switch function ensures automatic shift between the two protocols.
- Set-up for PROFIBUS PA can be done via Siemens Simatic PDM, ABB Melody / Harmony and Metso DNA software and for FOUNDATION Fieldbus via Emerson DeltaV, Yokogawa CS 1000 / CS 3000, ABB Melody / Harmony and Honeywell Experion software.
- The simulation mode function can be activated by way of a magnet.
- Polarity-independent bus connection.
- 24 bit A/D converter ensures high resolution.
- PROFIBUS PA function blocks: 2 analog.
- FOUNDATION Fieldbus function blocks: 2 analog and 1 PID.
- FOUNDATION Fieldbus capability: Basic or LAS.

Mounting / installation

- For DIN form B sensor head mounting. In non-hazardous areas the 5350 can be mounted on a DIN rail with the PR fitting type 8421.

Applications



Order

Type	Version
5350	Zone 2 / Div. 2 : A
	Zone 0, 1, 2, 20, 21, 22, M1 / DIV. 1, DIV. 2 : B

*NB! Please remember to order PR sim pin type 8422 if the simulation mode function is to be used.

Electrical specifications

Environmental conditions:

Operating temperature	-40°C to +85°C
Calibration temperature.	20...28°
Humidity.	< 95% RH (non-cond.)
Protection degree (encl./terminal)	IP68/IP00

Mechanical specifications:

Dimensions	Ø 44 x 20.2 mm
Weight approx.	55 g
Max. wire size.	1 x1.5 mm ² stranded wire
Screw terminal torque.	0.4 Nm
Vibration.	IEC 60068-2-6
2...25 Hz.	±1.6 mm
25...100 Hz.	±4 g

Common specifications:

Supply voltage, DC	
5350A	9.0...32 VDC
5350B.	9.0...30 VDC
In FISCO installations	9.0...17.5 VDC
Max. required power.	< 350 mW
Quiescent current	< 11 mA
Max. current increase in the event of an error	< 7 mA
Isolation voltage, test.	1.5 kVAC for 60 s
Isolation voltage, operation	50 VRMS / 75 VDC
Warm-up time.	30 s
Signal / noise ratio.	Min. 60 dB
Response time (programmable)	1...60 s
Updating time	< 400 ms
Execution time, analog input.	< 50 ms
Signal dynamics, input	24 bit

Accuracy, the greater of general and basic values:

General values		
Input type	Absolute accuracy	Temperature coefficient
All	$\leq \pm 0.05\%$ of reading	$\leq \pm 0.002\%$ of reading / °C

Basic values		
Input type	Basic accuracy	Temperature coefficient
Pt100 & Pt1000	$\leq \pm 0.1^\circ\text{C}$	$\leq \pm 0.002^\circ\text{C} / ^\circ\text{C}$
Ni100	$\leq \pm 0.15^\circ\text{C}$	$\leq \pm 0.002^\circ\text{C} / ^\circ\text{C}$
Cu10	$\leq \pm 1.3^\circ\text{C}$	$\leq \pm 0.02^\circ\text{C} / ^\circ\text{C}$
Lin. R	$\leq \pm 0.05 \Omega$	$\leq \pm 0.002 \Omega / ^\circ\text{C}$
Volt	$\leq \pm 10 \mu\text{V}$	$\leq \pm 0.2 \mu\text{V} / ^\circ\text{C}$
TC type: E, J, K, L, N, T, U	$\leq \pm 0.5^\circ\text{C}$	$\leq \pm 0.010^\circ\text{C} / ^\circ\text{C}$
TC type: B, R, S, W3, W5	$\leq \pm 1^\circ\text{C}$	$\leq \pm 0.025^\circ\text{C} / ^\circ\text{C}$

EMC - immunity influence.	$< \pm 0.1\%$ of reading
Extended EMC immunity: NAMUR NE 21, A criterion, burst	$< \pm 1\%$ of reading

Electrical specifications, input:

RTD and linear resistance input:

RTD type	Min. value	Max. value	Standard
Pt25...Pt1000	-200°C	+850°C	IEC60751/JIS C 1604
Ni25...Ni1000	-60°C	+250°C	DIN 43760
Cu10...Cu1000	-50°C	+200°C	$\alpha = 0.00427$
Lin. resistance	0 Ω	10 k Ω	-
Potentiometer	0 Ω	100 k Ω	-

Cable resistance per wire 50 Ω
 Sensor current Nom. 0.2 mA
 Effect of sensor cable resistance (3- / 4-wire) $< 0.002 \Omega/\Omega$
 Sensor error detection Yes
 Short circuit detection. $< 15 \Omega$

TC input:

Type	Min. temperature	Max. temperature	Standard
B	+400°C	+1820°C	IEC 60584-1
E	-100°C	+1000°C	IEC 60584-1
J	-100°C	+1200°C	IEC 60584-1
K	-180°C	+1372°C	IEC 60584-1
L	-200°C	+900°C	DIN 43710
N	-180°C	+1300°C	IEC 60584-1
R	-50°C	+1760°C	IEC 60584-1
S	-50°C	+1760°C	IEC 60584-1
T	-200°C	+400°C	IEC 60584-1
U	-200°C	+600°C	DIN 43710
W3	0°C	+2300°C	ASTM E988-90
W5	0°C	+2300°C	ASTM E988-90
Ext. CJC	-40°C	+135°C	IEC60751

Cold junction compensation	< ±0.5°C
Sensor error detection	Yes
Sensor error current:	
When detecting	Nom. 4 µA
Else	0 µA
Short circuit detection.	< 3 mV

Voltage input:

Measurement range	-800...+800 mV
Input resistance	10 MΩ

Output:

PROFIBUS PA connection:

PROFIBUS PA protocol.	Profile A&B, ver. 3.0
PROFIBUS PA protocol standard.	EN 50170 vol. 2
PROFIBUS PA address (at delivery).	126
PROFIBUS PA function blocks	2 analog

FOUNDATION Fieldbus connection:

FOUNDATION Fieldbus protocol	FF protocol
FOUNDATION Fieldbus protocol standard	FF design specifications
FOUNDATION Fieldbus capability	Basic or LAS
FOUNDATION Fieldbus version	ITK 4.6
FOUNDATION Fieldbus function blocks.	2 analog and 1 PID

Observed authority requirements:

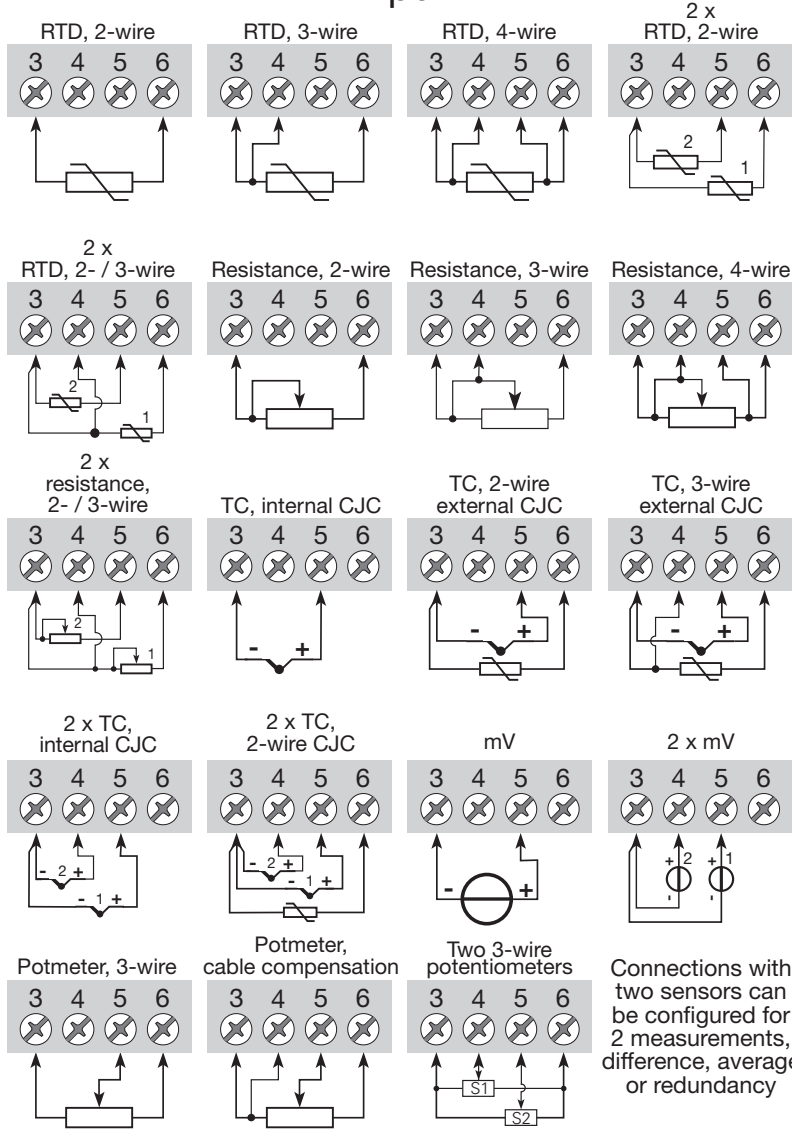
EMC.	2014/30/EU
RoHS.	2011/65/EU
ATEX	2014/34/EU
EAC	TR-CU 020/2011
EAC Ex	TR-CU 012/2011

I.S. / Ex approvals:

ATEX	KEMA 02ATEX1318 X
IECEX.	IECEX BVS 12.0035 X
c CSA us	1418937
FM	3015609
INMETRO	DEKRA 18.0006X
NEPSI	
5350A.	GYJ19.1264U
5350B.	GYJ19.1265X
EAC Ex	RU C-DK.HA65.B.00355/19

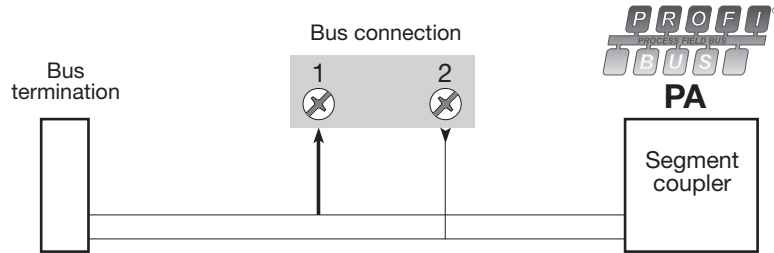
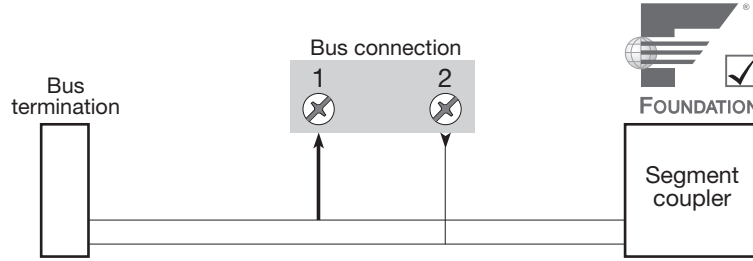
Input connections

Input:

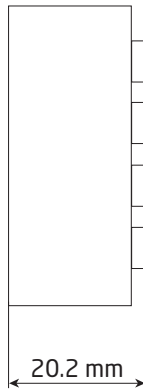
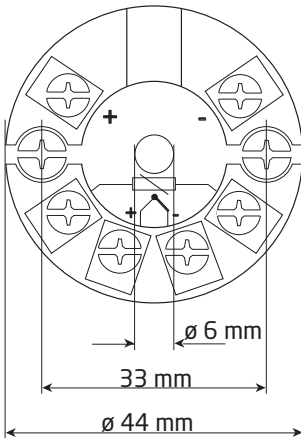


Output connections

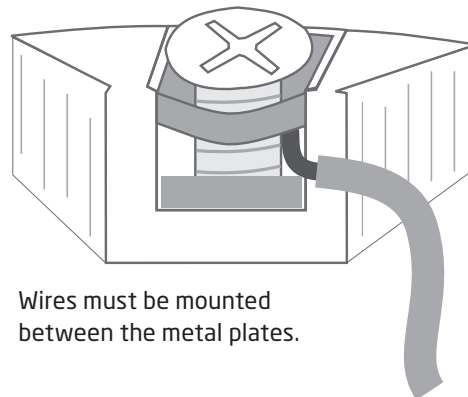
Output:



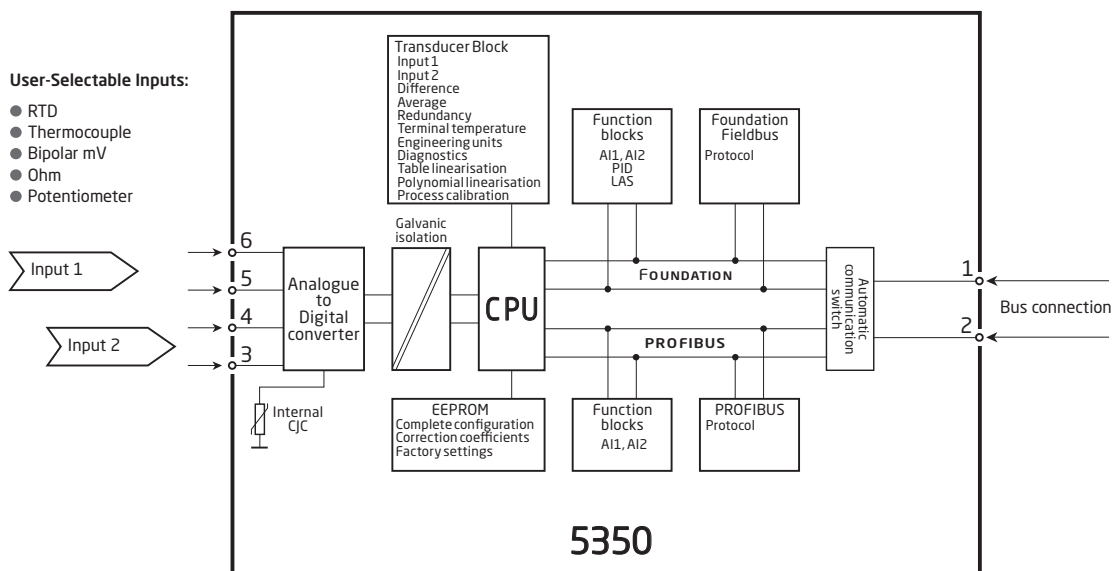
Mechanical specifications



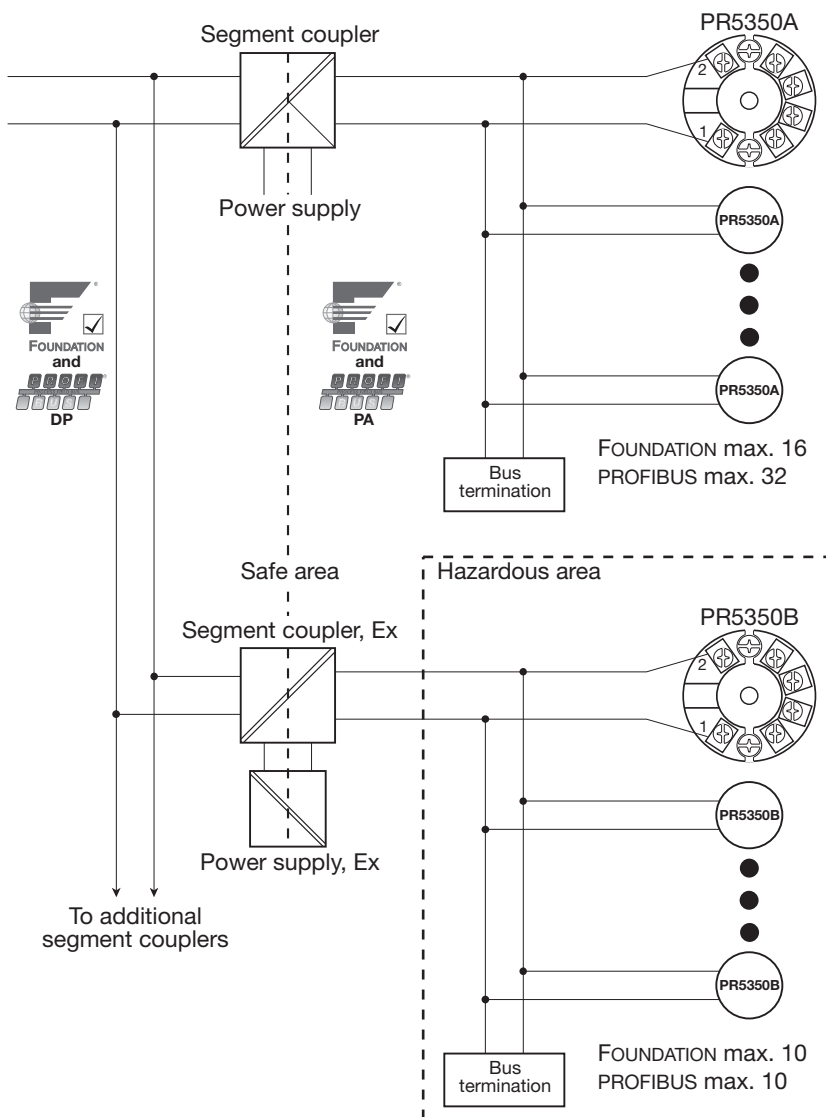
Mounting of sensor wires



Block diagram



Bus installation




ATEX Installation drawing 5350QA01-V3R0

5350

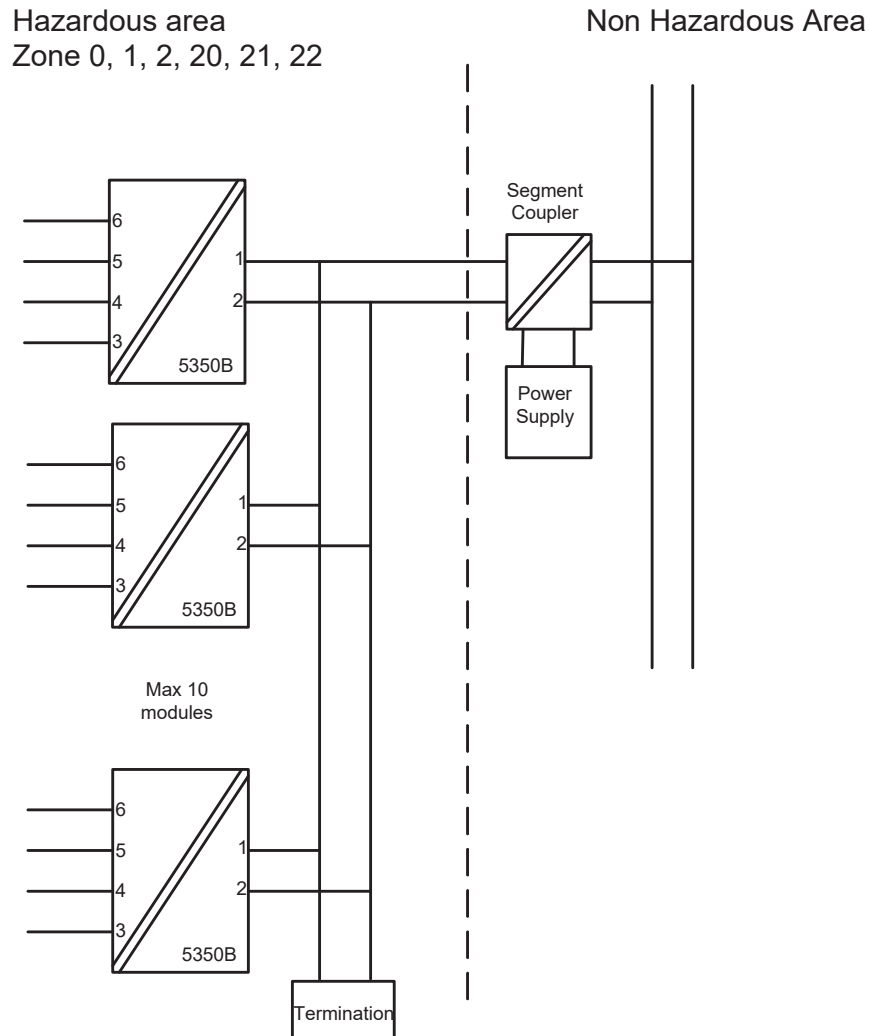


For safe installation of 5350B the following must be observed. The module shall only be installed by qualified personnel who are familiar with the national and international laws, directives and standards that apply to this area. Year of manufacture can be taken from the first two digits in the serial number.

ATEX Certificate KEMA 02ATEX 1318X

Marking  II 1 G Ex ia IIC T6...T4 Ga
 II 2 (1) G Ex ib [ia Ga] IIC T6..T4 Gb
 II 1 D Ex ia IIIC Da
 I M 1 Ex ia I Ma

Standards EN 60079-0 : 2012+A11, EN 60079-11 : 2012



Supply, terminal 1,2 for Ex ia IIC				
Unit	Barrier where $P_o < 0.84 \text{ W}$	Barrier where $P_o < 1.3 \text{ W}$	Suitable for FISCO systems	Suitable for FISCO systems
U_i	30 VDC	30 VDC	17.5 VDC	15 VDC
I_i	120 mADC	300 mADC	250 mADC	900 mADC
P_i	0.84 W	1.3 W	2.0 W	5.32 W
L_i	1 μH	1 μH	1 μH	1 μH
C_i	2 nF	2 nF	2 nF	2 nF
T1..T4	$T_{\text{amb.}} < 85^\circ\text{C}$	$T_{\text{amb.}} < 75^\circ\text{C}$	$T_{\text{amb.}} < 85^\circ\text{C}$	$T_{\text{amb.}} < 85^\circ\text{C}$
T5	$T_{\text{amb.}} < 70^\circ\text{C}$	$T_{\text{amb.}} < 65^\circ\text{C}$	$T_{\text{amb.}} < 60^\circ\text{C}$	$T_{\text{amb.}} < 60^\circ\text{C}$
T6	$T_{\text{amb.}} < 60^\circ\text{C}$	$T_{\text{amb.}} < 45^\circ\text{C}$	$T_{\text{amb.}} < 45^\circ\text{C}$	$T_{\text{amb.}} < 45^\circ\text{C}$

Supply, terminal 1,2 for Ex ib IIC		
Unit	Barrier where $P_o < 5.32 \text{ W}$	FISCO segment coupler
U_i	30 VDC	17.5 VDC
I_i	250 mADC	any
P_i	5.32 W	any
L_i	1 μH	1 μH
C_i	2 nF	2 nF
T1..T4	$T_{\text{amb.}} < 85^\circ\text{C}$	$T_{\text{amb.}} < 85^\circ\text{C}$
T5	$T_{\text{amb.}} < 75^\circ\text{C}$	$T_{\text{amb.}} < 75^\circ\text{C}$
T6	$T_{\text{amb.}} < 60^\circ\text{C}$	$T_{\text{amb.}} < 60^\circ\text{C}$

Sensor input, terminal 3,4,5 and 6

U_o: 5.7 VDC

I_o: 8.4 mA

P_o: 12 mW

L_o: 200 mH

C_o: 40 μF

General installation instructions

The Sensor Circuit is not infallibly galvanic isolated from the Fieldbus circuit. However, the galvanic isolation is capable of withstanding a test voltage of 500Vac during 1 minute.

If the transmitter is installed in an explosive atmosphere requiring the use of equipment of category 1G, and if the enclosure is made of aluminum, it must be installed such, that ignition sources due to impact and friction sparks are excluded.

If the enclosure is made of non-metallic material or of metal having a paint layer thicker of more than 0.2mm (group IIC) or 2mm for (group IIB, IIA, I), electrostatic charging shall be avoided.

For installation in a potential explosive gas atmosphere .

The transmitter shall be mounted in an enclosure form B according to DIN43729 or equivalent that provides a degree of protection of at least IP20 according to EN/IEC 60529, that is suitable for the application and correctly installed.

For installation in a potential explosive dust atmosphere.

The transmitter shall be mounted in an enclosure form B according to DIN43729 or equivalent that provides a degree of protection of at least IP6X according to EN/IEC 60529, that is suitable for the application and correctly installed. Cable entries and blanking elements shall be used that are suitable for the application and correctly installed. The surface temperature of the enclosure is equal to the ambient temperature +20 K.

If the enclosure is made of non-metallic material or of metal having a paint layer, electrostatic charging shall be avoided.

For installation in mines.

The transmitter shall be mounted in a steel or non-metallic enclosure that provides a degree of protection of at least IP6X according to EN/IEC 60529, and that is suitable for the application and correctly installed. Cable entries and blanking elements shall be used that are suitable for the application and correctly installed.

If the enclosure is made of non-metallic materials or painted metals electrostatic charging shall be avoided.

5350A: For safe installation the following must be observed. The module shall only be installed by qualified personnel who are familiar with the national and international laws, directives and standards that apply to this area. Year of manufacture can be taken from the first two digits in the serial number.

Marking



II 3 G Ex nA [ic] IIC T6..T4 Gc
 II 3 G Ex ic IIC T6..T4 Gc
 II 3 D Ex ic IIIC Dc

T4: $-40 \leq T_a \leq 85^{\circ}\text{C}$
 T5: $-40 \leq T_a \leq 75^{\circ}\text{C}$
 T6: $-40 \leq T_a \leq 60^{\circ}\text{C}$

Standards EN 60079-0 : 2012+A11, EN 60079-11 : 2012,
 EN 60079-15 : 2010

General installation instructions:

The Sensor Circuit is not infallibly galvanic isolated from the Fieldbus circuit. However, the galvanic isolation is capable of withstanding a test voltage of 500Vac during 1 minute.

If the enclosure is made of non-metallic material or of metal having a paint layer thicker of more than 0.2mm (group IIC) or 2mm for (group IIB, IIA), electrostatic charging shall be avoided.

For an ambient temperature above 60°C, heat resistant cables shall be used with a rating of at least 20K above the ambient temperature.

For installation in a potential explosive gas atmosphere:

For Ex ic installation, the transmitter shall be mounted in an enclosure that provides a degree of protection of at least IP20 according to EN/IEC 60529 and that is suitable for the application and correctly installed.

For Ex nA installation the transmitter shall be installed in an enclosure providing a degree of protection of at least IP54, according to EN/IEC 50529 that is suitable for the application and correctly installed, e.g. an enclosure with protection Ex n or Ex e. Cable entry devices and blanking elements shall fulfill the same requirements.

For installation in a potential explosive dust atmosphere:

For Ex ic installation interfacing intrinsically safe signal "ic" (e.g. a passive device), the transmitter shall be mounted in a metal enclosure form B according to DIN 43729 or equivalent, that provides a degree of protection of at least IP6X according to EN/IEC 60529, that is suitable for the application. Cable entry devices and blanking elements shall fulfill the same requirements.

For non intrinsically safe installation the transmitter shall be mounted in an enclosure that provides a degree of protection of at least IP6X according to EN/IEC 60529, and in conformance with type of protection EX t that is suitable for the application and correctly installed. Cable entry devices and blanking elements shall fulfill the same requirements.

If the enclosure is made of non-metallic material or of metal having a paint layer, electrostatic charging shall be avoided.

The surface temperature of the enclosure is equal to the ambient temperature +20 K.

IECEX Installation drawing 5350QI01-V2R0



For safe installation of 5350 the following must be observed. The module shall only be installed by qualified personnel who are familiar with the national and international laws, directives and standards that apply to this area. Year of manufacture can be taken from the first two digits in the serial number.

IECEX Certificate BVS 12.0035X

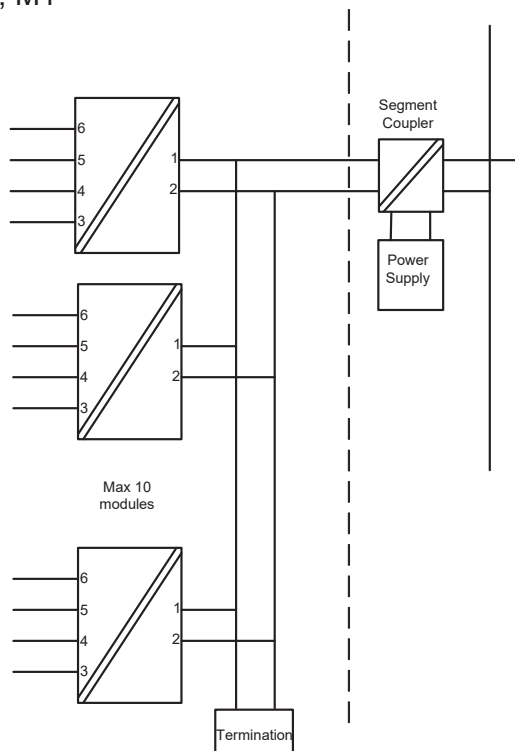
Marking Ex ia IIC T6..T4 Ga
 Ex ib [ia Ga] IIC T6..T4 Gb
 Ex ia IIIC T135°C Da
 Ex ia I Ma
 Ex nA [ic] IIC T6..T4 Gc
 Ex ic IIC T6..T4 Gc

Standards IEC60079-11:2011, IEC60079-0: 2011,
 IEC60079-15: 2010

Hazardous area
 Zone 0, 1, 2, 20, 21, 22, M1

Non Hazardous Area

Sensor input terminals 3,4,5,6	
U _o	5.7 VDC
I _o	8.4 mA
P _o	12 mW
L _o	200 mH
C _o	40 µF



Supply, terminal 1,2 Ex ia IIC T6..T4 Ga or Ex ia IIIC Da or Ex ia I Ma				
Unit	Barrier where $P_o < 0.84 \text{ W}$	Barrier where $P_o < 1.3 \text{ W}$	Suitable for FISCO systems	Suitable for FISCO systems
U_i	30 VDC	30 VDC	17.5 VDC	15 VDC
I_i	120 mADC	300 mADC	250 mADC	900 mADC
P_i	0.84 W	1.3 W	2.0 W	5.32 W
L_i	1 μH	1 μH	1 μH	1 μH
C_i	2 nF	2 nF	2 nF	2 nF
T1..T4	$T_{\text{amb.}} < 85^\circ\text{C}$	$T_{\text{amb.}} < 75^\circ\text{C}$	$T_{\text{amb.}} < 85^\circ\text{C}$	$T_{\text{amb.}} < 85^\circ\text{C}$
T5	$T_{\text{amb.}} < 70^\circ\text{C}$	$T_{\text{amb.}} < 65^\circ\text{C}$	$T_{\text{amb.}} < 60^\circ\text{C}$	$T_{\text{amb.}} < 60^\circ\text{C}$
T6	$T_{\text{amb.}} < 60^\circ\text{C}$	$T_{\text{amb.}} < 45^\circ\text{C}$	$T_{\text{amb.}} < 45^\circ\text{C}$	$T_{\text{amb.}} < 45^\circ\text{C}$

Supply, terminal 1,2 Ex ib [ia Ga] IIC T6..T4 Gb		
Unit	Barrier where $P_o < 5.32 \text{ W}$	FISCO segment coupler
U_i	30 VDC	17.5 VDC
I_i	250 mADC	any
P_i	5.32 W	any
L_i	1 μH	1 μH
C_i	2 nF	2 nF
T1..T4	$T_{\text{amb.}} < 85^\circ\text{C}$	$T_{\text{amb.}} < 85^\circ\text{C}$
T5	$T_{\text{amb.}} < 75^\circ\text{C}$	$T_{\text{amb.}} < 75^\circ\text{C}$
T6	$T_{\text{amb.}} < 60^\circ\text{C}$	$T_{\text{amb.}} < 60^\circ\text{C}$

Supply, terminal 1,2 Ex nA [ic] IIC T6..T4 Gc or Ex ic IIC T6..T4 Gc	
U_i	Max 32 VDC
L_i	1 μH
C_i	2 nF
T1..T4	$T_{\text{amb.}} < 85^\circ\text{C}$
T5	$T_{\text{amb.}} < 75^\circ\text{C}$
T6	$T_{\text{amb.}} < 60^\circ\text{C}$

Installation notes

The sensor circuit is not infallibly galvanic isolated from the input circuit. However, the galvanic isolation between the circuits is capable of withstanding a test voltage of 500Vac during 1 minute.

For an ambient temperature $\geq 60^{\circ}\text{C}$, heat resistant cables shall be used with a rating of at least 20 K above the ambient temperature

For installation in a potentially explosive gas atmosphere requiring EPL Ga or EPL Gb, the following instructions apply:

The transmitter shall be mounted in an enclosure that is providing a degree of protection of at least IP54 according to IEC 60529 that is suitable for the application and correctly installed.

For installation in a potentially explosive dust atmosphere requiring EPL Da or EPL Db, the following instructions apply:

The transmitter shall be mounted in an Form B enclosure according to DIN 43729, that is providing a degree of protection of at least IP6X according to IEC 60079-0 and IEC 60079-31 "Equipment dust ignition protection by enclosure tD" that is suitable for the application and correctly installed.

Cable entries and blanking elements shall be used that are suitable for the application and correctly installed.

Maximum surface temperature with a 5 mm layer of dust is T 135°C.

For installation in mines the following instructions apply:

The transmitter shall be mounted in a metal enclosure that is providing a degree of protection of at least IP6X according to IEC 60529, and is suitable for the application and correctly installed.

Cable entries and blanking elements shall be used that are suitable for the application and correctly installed

For installation in a potentially explosive gas atmosphere requiring EPL Gc the following instructions apply:

The transmitter shall be mounted in an enclosure according to IEC 60079-15, that is suitable for the application and correctly installed.

FM/CSA Installation drawing 5350QFC1-V2R0

Hazardous (Classified) Location

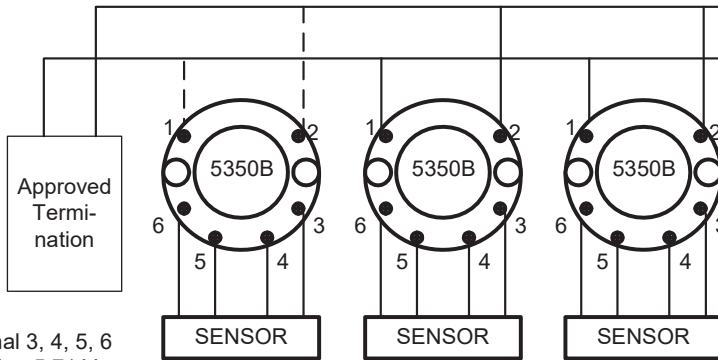
Class I, Division 1, Groups, A, B, C, D
OR
Class I, Zone 0, IIC

Unclassified Location

Associated Apparatus
Barrier or
FISCO Supply
with
entity Parameters:

$U_M \leq 250V$
 $V_{oc} \text{ or } U_o \leq V_{max} \text{ or } U_i$
 $I_{sc} \text{ or } I_o \leq I_{max} \text{ or } I_i$
 $P_o \leq P_i$
 $C_a \text{ or } C_o \geq C_i + C_{cable}$
 $L_a \text{ or } L_o \geq L_i + L_{cable}$

This device must not be
connected to any
associated apparatus
which uses or generates
more than 250 VRMS



Terminal 3, 4, 5, 6
 $V_t \text{ or } U_o : 5,71 V$
 $I_t \text{ or } I_o : 8,4 mA$
 $P_t \text{ or } P_o : 12 mW$
 $C_a \text{ or } C_o : 40 \mu F$
 $L_a \text{ or } L_o : 200 mH$

Terminal 1,2				
Class I, Zone 0, Ex ia IIC, Entity / FISCO				
IS, Class I, Division 1, Group A, B, C, D Entity / FISCO				
Barrier type:	Linear barrier	Trapezoid barrier	Suitable for FISCO systems	Suitable for FISCO systems
T1..T4:	$T_a \leq +85^\circ C$	$T_a \leq +75^\circ C$	$T_a \leq +85^\circ C$	$T_a \leq +85^\circ C$
T5:	$T_a \leq +70^\circ C$	$T_a \leq +65^\circ C$	$T_a \leq +60^\circ C$	$T_a \leq +60^\circ C$
T6:	$T_a \leq +60^\circ C$	$T_a \leq +45^\circ C$	$T_a \leq +45^\circ C$	$T_a \leq +45^\circ C$
$V_{max} \text{ or } U_i$	30 V	30 V	17.5 V	15 V
$I_{max} \text{ or } I_i$	120 mA	300 mA	250 mA	900 mA
P_i	0.84 W	1.3 W	2.0 W	5.32W
C_i	2.0 nF	2.0 nF	2.0 nF	2.0 nF
L_i	1 μH	1 μH	1 μH	1 μH

See Installation notes.

Hazardous (Classified) Location

Class I, Division 2, Groups, A, B, C, D
 OR
 Class I, Zone 1, IIC

Unclassified Location

Associated Apparatus
 Barrier with
 entity Parameters:

$$UM \leq 250V$$

$$V_{oc} \text{ or } U_o \leq V_{max} \text{ or } U_i$$

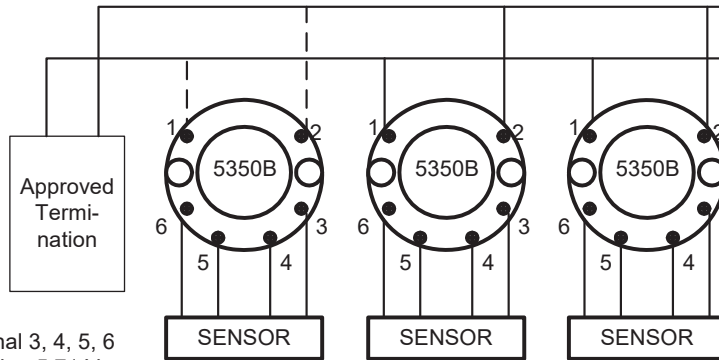
$$I_{sc} \text{ or } I_o \leq I_{max} \text{ or } I_i$$

$$P_o \leq P_i$$

$$C_a \text{ or } C_o \geq C_i + C_{cable}$$

$$L_a \text{ or } L_o \geq L_i + L_{cable}$$

or
 FISCO Supply



Terminal 3, 4, 5, 6
 $V_t \text{ or } U_o : 5,71 V$
 $I_t \text{ or } I_o : 8,4 mA$
 $P_t \text{ or } P_o : 12 mW$
 $C_a \text{ or } C_o : 40 \mu F$
 $L_a \text{ or } L_o : 200 mH$

This device must not be
 connected to any
 associated apparatus
 which uses or generates
 more than 250 VRMS

Entity Parameters		
Terminal 1, 2		
Class I, Zone 1, Ex ib IIC Entity / FISCO		
Barrier type:	Rectangular barrier	FISCO Segment coupler
T1..T4:	$T_a \leq +85^\circ C$	$T_a \leq +85^\circ C$
T5:	$T_a \leq +75^\circ C$	$T_a \leq +75^\circ C$
T6:	$T_a \leq +60^\circ C$	$T_a \leq +60^\circ C$
V_{max} / U_i	30 V	17.5 V
$I_{max} \text{ or } I_i$	250 mA	any
P_i	5.32 W	any
C_i	2.0 nF	2.0 nF
L_i	1 μH	1 μH

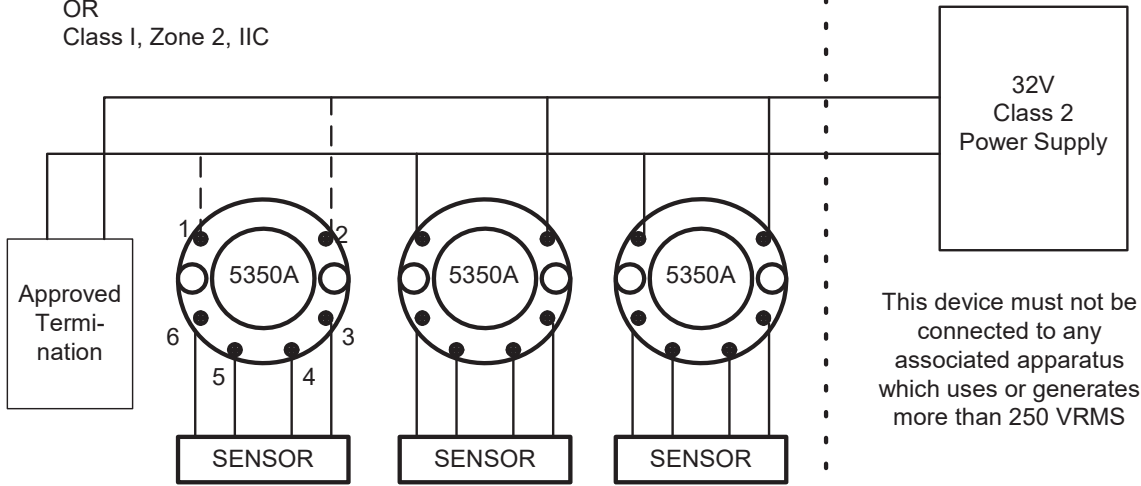
Nonincendive Field Wiring parameters		
Terminal 1, 2		
NI, Class I, Division 2, Group A, B, C, D NIFW/ FNICO		
T1..T4:	$T_a \leq +85^\circ C$	$T_a \leq +85^\circ C$
T5:	$T_a \leq +75^\circ C$	$T_a \leq +75^\circ C$
T6:	$T_a \leq +60^\circ C$	$T_a \leq +60^\circ C$
V_{max} / U_i	30 V	17.5 V
P_i	5.32 W	any
C_i	2.0 nF	2.0 nF
L_i	1 μH	1 μH
For a current-controlled circuit the parameter I_{max} is not required and need not be aligned with the parameter I_{sc} or I_t of the barrier or associated nonincendive field wiring apparatus.		

See Installation notes.

Hazardous (Classified) Location

Class I, Division 2, Groups, A, B, C, D
 OR
 Class I, Zone 2, IIC

Unclassified Location



Terminal 3, 4, 5, 6
 V_t or U_o : 5.71 V
 I_t or I_o : 8.4 mA
 P_t or P_o : 12 mW
 C_a or C_o : 40 μ F
 L_a or L_o : 200 mH

Terminal 1, 2
 C_i : 2.0 nF
 L_i : 1 μ H

T1..T4	$-40^{\circ}\text{C} \leq T_a \leq +85^{\circ}\text{C}$
T5	$-40^{\circ}\text{C} \leq T_a \leq +75^{\circ}\text{C}$
T6	$-40^{\circ}\text{C} \leq T_a \leq +60^{\circ}\text{C}$

See installation notes:

Installation notes:**FM / CSA:**

For installation in the US the 5350 shall be installed according to the National Electrical Code (ANSI-NFPA 70).

For installation in Canada the transmitter shall be installed in a suitable enclosure to meet installation codes stipulated in the Canadian Electrical Code (CEC).

The entity concept:

Equipment that is FM / CSA-approved for intrinsic safety may be connected to barriers based on the ENTITY CONCEPT. This concept permits interconnection of approved transmitters, meters and other devices in combinations which have not been specifically examined by FM / CSA, provided that the agency's criteria are met. The combination is intrinsically safe, if the entity concept is acceptable to the authority having jurisdiction over the installation.

The entity concept criteria are as follows:

The intrinsically safe devices, other than barriers, must not be a source of power.

The maximum voltage U_i (VMAX) and current I_i (IMAX), and maximum power P_i (Pmax), which the device can receive and remain intrinsically safe, must be equal to or greater than the voltage (U_o or VOC or V_t) and current (I_o or ISC or I_t) and the power P_o which can be delivered by the barrier.

The sum of the maximum unprotected capacitance (C_i) for each intrinsically device and the interconnecting wiring must be less than the capacitance (C_a) which can be safely connected to the barrier.

The sum of the maximum unprotected inductance (L_i) for each intrinsically device and the interconnecting wiring must be less than the inductance (L_a) which can be safely connected to the barrier.

The entity parameters U_o , VOC or V_t and I_o , ISC or I_t , and C_a and L_a for barriers are provided by the barrier manufacturer.

FISCO/FNICO rules:

The FISCO Concept allows the interconnection of intrinsically safe apparatus to associated apparatus not specifically examined in such combination. The criterion for such interconnection is that the voltage (V_{max}), the current (I_{max}) and the power (P_i) which intrinsically safe apparatus can receive and remain intrinsically safe, considering faults, must be equal or greater than the voltage (U_o , Voc, V_t), the current (I_o , Isc, I_t ,) and the power (P_o) which can be provided by the associated apparatus (supply unit). In addition, the maximum unprotected residual capacitance (C_i) and inductance (L_i) of each apparatus (other than the terminators) connected to the Fieldbus must be less than or equal to:

FISCO: 5 nF and 10 μ H

FNICO: 5 nF and 20 μ H

The Nonincendive Field Wiring concept allows the interconnection of nonincendive field wiring apparatus using any of the wiring methods permitted for unclassified locations.

$$V_{max} \geq V_{oc} \text{ or } V_t, C_a \geq C_i + C_{cable}, L_a \geq L_i + L_{cable}$$

The Nonincendive Field Wiring concept allows the interconnection of FM-approved nonincendive devices with FNICO parameters not specifically examined in combination as a system when: U_o or V_{oc} or $V_t \leq V_{max}$, $P_o \leq P_i$

In each I.S. Fieldbus segment only one active source, normally the associated apparatus, is allowed to provide the necessary power for the Fieldbus system. The allowed voltage (U_o , V_{oc} , V_t) of the associated apparatus used to supply the bus must be limited to the range of 14V d.c. to 24V d.c. All other equipment connected to the bus cable has to be passive, meaning that the apparatus is not allowed to provide energy to the system, except to a leakage current of 50 μ A for each connected device. Separately powered equipment needs a galvanic isolation to insure that the intrinsically safe Fieldbus circuit remains passive.

The cable used to interconnect the devices needs to comply with the following parameters:

Loop resistance R' : 15 ...150 Ω /Km

Inductance per unit length L' : 0.4...1mH/km

Capacitance per unit length C' : 80 ...200 nF/km

$C' = C' \text{ line/line} + 0.5 C' \text{ line/screen}$, if both lines are floating

or

$C' = C' \text{ line/line} + C' \text{ line/screen}$, if the screen is connected to one line

Length of spur Cable: max. 30 m

Length of trunk cable: max. 1 Km

Length of splice: max. 1 m

Terminators

At each end of the trunk cable an approved line terminator with the following parameters is suitable:

$R = 90 \dots 100 \Omega$

$C = 0 \dots 2.2 \mu\text{F}$.

System evaluation

The number of passive devices like transmitters, actuators, connected to a single bus segment is not limited due to I.S. or N.I. reasons. Furthermore, if the above rules are respected, the inductance and capacitance of the cable need not to be considered and will not impair the intrinsic safety or nonincendive safety of the installation as applicable.

The sensor circuit is not infallibly galvanically isolated from the Fieldbus input circuit. However, the galvanic isolation between the circuits is capable of withstanding a test voltage of 500 Vac during 1 minute.

Nonincendive Field Wiring Concept:

The Nonincendive Field Wiring concept allows for the interconnection of nonincendive field wiring apparatus using any of the wiring methods permitted for unclassified locations.

$V_{max} \geq V_{oc}$ or V_t , $C_a \geq C_i + C_{cable}$, $L_a \geq L_i + L_{cable}$ "

Installation Notes For FISCO and Entity Concepts:

1. The Intrinsic Safety Entity concept allows the interconnection of FM / UL / CSA-approved intrinsically safe devices (Div. 1 or Zone 0 or Zone1), with entity parameters not specifically examined in combination as a system when: U_o or V_{oc} or $V_t \leq V_{max}$, I_o or I_{sc} or $I_t \leq I_{max}$, $P_o \leq P_i$.
 C_a or $C_o \geq \Sigma C_i + \Sigma C_{cable}$, L_a or $L_o \geq \Sigma L_i + \Sigma L_{cable}$, $P_o \leq P_i$.
2. The Intrinsic Safety FISCO concept allows the interconnection of FM / UL / CSA-approved intrinsically safe devices with FISCO parameters not specifically examined in combination as a system when:
 U_o or V_{oc} or $V_t \leq V_{max}$, I_o or I_{sc} or $I_t \leq I_{max}$, $P_o \leq P_i$.
3. Control equipment connected to the Associated Apparatus must not use or generate more than 250 Vrms or Vdc.
4. Intrinsically Safe Installation should be in accordance with ANSI/ISA RP12.6.01 (except chapter 5 for FISCO Installations) "Installation of Intrinsically Safe Systems for Hazardous (Classified) Locations" and the National Electrical Code® (ANSI/NFPA 70) Sections 504 and 505.
5. The configuration of associated Apparatus must be FM Approvals or UL / CSA Approved under the associated concept.
6. Associated Apparatus manufacturer's installation drawing must be followed when installing this equipment.
7. The 5350B is approved for Class I, Zone 0, applications. If connecting AEx[ib] associated Apparatus or AEx ib I.S. Apparatus to the 5350B the I.S. circuit is only suitable for Class I, Zone 1, or Class I, Zone 2, and is not suitable for Class I, Zone 0 or Class I, Division 1, Hazardous (Classified) Locations".
8. No revision to drawing without prior FM / UL / CSA Approval.
9. Simple Apparatus is defined as a device that neither generates nor stores more than 1.5 V, 0.1 A or 25 mW.
10. The termination must be NRTL-approved, and the resistor must be infallible.
11. Warning:
For applications in Div. 2 or Zone 2 (Classified Locations) Explosion hazard: Except for nonincendive field circuits, do not disconnect the apparatus unless the area is known to be non hazardous.
12. Warning:
Substitution of Components May Impair Safety.

NEPSI Installation drawing 5350QN1-V3R0

Transmitter with Bus technology of Series 5350A manufactured by PR electronics A/S via the test made by NEPSI (National Supervision and Inspection Center for Explosion Protection and Safety of Instrumentation) have been proved that they are fulfilling the General Requirements according to Article I, GB3836.1-2010 "Electrical equipment using in the Explosive gas Environment" and the specified requirements for "n" series in Article IX, GB3836.8-2014. The symbol of explosive protection applied should be Ex nA[ic] IIC T6~T4 Gc while the Certificate No. is GYJ19.1264U.

Firstly, Note for the use of the products

1. The Symbol U applied after the Cert. No., indicates that this transmitter cannot be applied in explosive environment of danget until the Protection Grade of the box where the transmitter will later on be placed is not lower than IP54 (GB4208), and has been approved by the National Authorized Inspection Body.
2. The rated Voltage for the transmitter should be 32Vd.c. Proper measures should be applied to protect the working voltage from instantaneously jumping up to 40% of the rated Voltage caused by disturbance.
3. The relationship between the temperature Code and ambient temperature is indicated as follows:

Temperature Code	Ambient Temperature
T4	-40~+85
T5	-40~+75
T6	-40~+60

4. the parameters of the transmitter output which will be connected with the inputs of the Sensor (X3, X4, X5, X6) are as follows:
 $U_o=5.7V$ $I_o=8.4V$ $P_o=12mW$ $C_o=40 \mu F$ $I_O=200 mH$
5. Only when the transmitter is combined with other power-restraint devices which have also been tested and approved by the National Authorized Inspection Body and met the requirements of GB3836.1 and GB3836.8 can the explosion protection system be applied in the explosive environment.
 $U_o < U_i$ $I_o < I_i$ $P_o \leq P_i$ $C_o \leq C_c + C_i$ $L_o \geq L_c + L_i$
 Note: C_c , L_c indicated the parameters of distributed electric capacity of connecting cable.
 U_i , I_i , P_i indicated the parameters of the output of other power-restraint devices; C_i , L_i indicated the maximum of the external parameter of the power-restraint devices.

6. Users are not allowed to replace the inner electrical parts with permission.
7. The installation, implementation and maintenance of the transmitter should strictly conform to the Regulation of “Design Code for electricity Equipment used in explosive and flammable environment” in GB50058 and “installation of Electrical Equipment in Dangerous Environment” the Article 15, Electrical Equipment of explosive gas Environment of GB3836.15

Transmitter with Bus technology of Series 5350B manufactured by PR electronics A/S via the test made by NEPSI (National Supervision and Inspection Center for Explosion Protection and Safety of Instrumentation) have been proved that they are fulfilling the General Requirements according to, GB 3836.1-2010, GB3836.4-2010, GB3836.20-2010. The symbol of explosive protection are: Ex ia IIC T6~T4 Ga or Ex ib[ia] IIC T6~T4 Gb while the Certificate No. is GYJ19.1265X.

Note for the use of transmitter:

1. The Symbol “X” applied after the Cert. No., indicates that this transmitter cannot be applied in explosive environment of danger until the Protection Grade of the box where the transmitter will later on be placed is not lower than IP20 (GB4208), and has been approved by the National Authorized Inspection Body. The metallic case must accord to item 8, GB3836.1-2010; the nonmetallic case must accord to item 7.3, GB3836.1-2010.

2. The relationship of the explosive protection ingress, the temperature Code, ambient temperature and max. output parameter is indicated as follows:

Ex ia IIC			Ex ib(ia) II C	
T4:	-40°C~+85°C	-40°C~+75°C	-40°C~+85°C	-40°C~+85°C
T5	-40°C~+70°C	-40°C~+65°C	-40°C~+60°C	-40°C~+75°C
T6:	-40°C~+60°C	-40°C~+45°C	-40°C~+45°C	-40°C~+60°C
Ui	30V	30V	17.5V	30V
Li	120mA	300mA	250mA	250mA
Pi	0.84W	1.3W	2.0W	5.32W
Ci= 2nF, Li=1μH				

Instalação INMETRO 5350QB01-V3R0

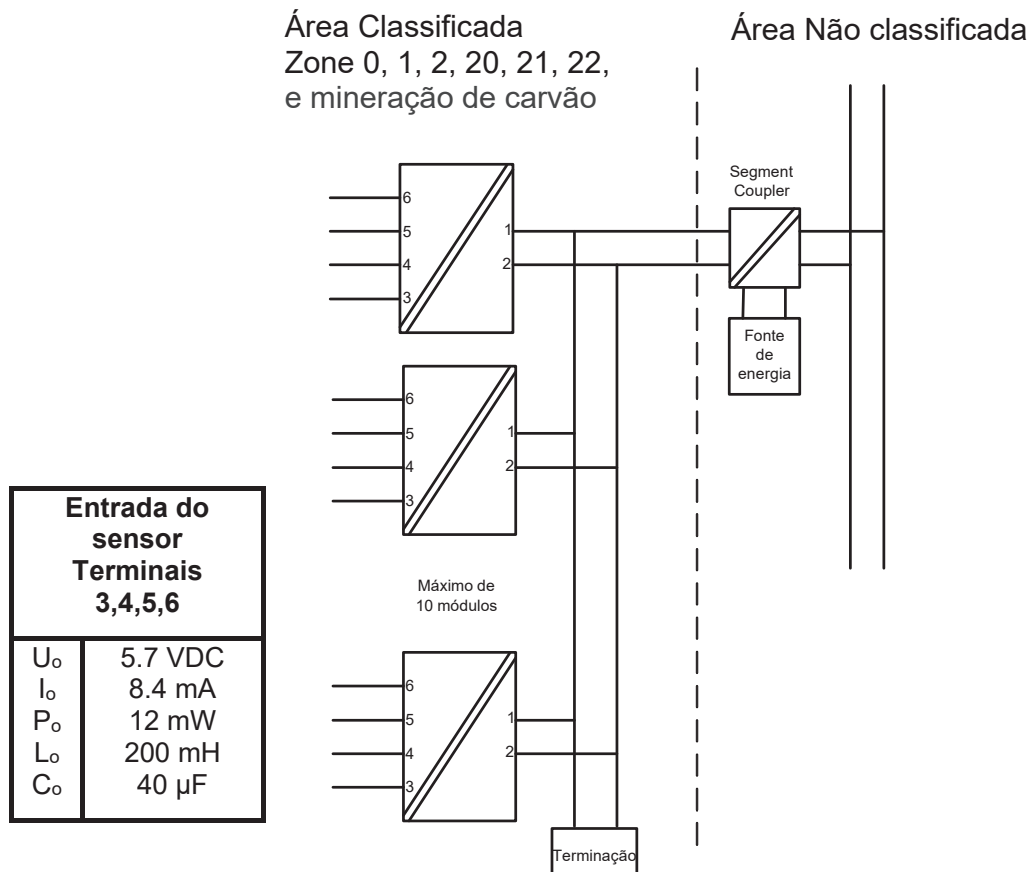


Para uma instalação segura, o seguinte deve ser observado. O módulo só deve ser instalado por pessoal qualificado e familiarizado com as leis, diretrizes e normas nacionais e internacionais aplicáveis a essa área.

Certificado DEKRA 18.0006X

Ex ia IIC T6..T4 Ga
 Ex ib [ia Ga] IIC T6...T4 Gb
 Ex ia IIIC T135°C Da
 Ex ia I Ma
 Ex nA [ic] IIC T6..T4 Gc
 Ex ic IIC T6...T4 Gc

Normas ABNT NBR IEC 60079-0:2013 :
 Versão corrigida 2: 2016
 ABNT NBR IEC 60079-11:2013 : Versão corrigida
 2017
 ABNT NBR IEC 60079-15:2012



Fonte de energia, terminas 1,2 Ex ia IIC T6..T4 Ga or Ex ia IIIC Da or Ex ia I Ma				
Unidade	Barreira $P_o < 0.84 \text{ W}$	Barreira $P_o < 1.3 \text{ W}$	Adequado para Sistemas FISCO	Adequado para Sistemas FISCO
U_i	30 VDC	30 VDC	17.5 VDC	15 VDC
I_i	120 mADC	300 mADC	250 mADC	900 mADC
P_i	0.84 W	1.3 W	2.0 W	5.32 W
L_i	1 μH	1 μH	1 μH	1 μH
C_i	2 nF	2 nF	2 nF	2 nF
T1..T4	$T_{amb.} < 85^\circ\text{C}$	$T_{amb.} < 75^\circ\text{C}$	$T_{amb.} < 85^\circ\text{C}$	$T_{amb.} < 85^\circ\text{C}$
T5	$T_{amb.} < 70^\circ\text{C}$	$T_{amb.} < 65^\circ\text{C}$	$T_{amb.} < 60^\circ\text{C}$	$T_{amb.} < 60^\circ\text{C}$
T6	$T_{amb.} < 60^\circ\text{C}$	$T_{amb.} < 45^\circ\text{C}$	$T_{amb.} < 45^\circ\text{C}$	$T_{amb.} < 45^\circ\text{C}$

Fonte de energia, terminas 1,2 Ex ib [ia Ga] IIC T6..T4 Gb		
Unidade	Barreira $P_o < 5.32 \text{ W}$	FISCO acoplador de segmento
U_i	30 VDC	17.5 VDC
I_i	250 mADC	any
P_i	5.32 W	any
L_i	1 μH	1 μH
C_i	2 nF	2 nF
T1..T4	$T_{amb.} < 85^\circ\text{C}$	$T_{amb.} < 85^\circ\text{C}$
T5	$T_{amb.} < 75^\circ\text{C}$	$T_{amb.} < 75^\circ\text{C}$
T6	$T_{amb.} < 60^\circ\text{C}$	$T_{amb.} < 60^\circ\text{C}$

Fonte de energia, terminas 1,2 Ex nA [ic] IIC T6..T4 Gc or Ex ic IIC T6..T4 Gc	
U_i	Max 32 VDC
L_i	1 μH
C_i	2 nF
T1..T4	$T_{amb.} < 85^\circ\text{C}$
T5	$T_{amb.} < 75^\circ\text{C}$
T6	$T_{amb.} < 60^\circ\text{C}$

Instruções de Instalação.

O circuito do sensor não é galvanicamente infalível isolado do circuito de entrada. No entanto, o isolamento galvânico entre os circuitos é capaz de suportar uma tensão de teste de 500Vac durante 1 minuto.

Para uma temperatura ambiente $\geq 60^{\circ}\text{C}$, devem ser utilizados cabos resistentes ao calor com uma classificação de pelo menos 20 K acima da temperatura ambiente

Para instalação em atmosfera de gás potencialmente explosiva que requeira EPL Ga ou EPL Gb, aplicam-se as seguintes instruções:

O transmissor deve ser montado em um invólucro que forneça um grau de proteção de pelo menos IP54, de acordo com a ABNT NBR IEC 60529, adequado para a aplicação e instalado corretamente.

Para instalação em uma atmosfera de poeira potencialmente explosiva que requeira EPL Da ou EPL Db, as seguintes instruções se aplicam:

O transmissor deve ser montado em um invólucro Modelo B de acordo com a norma DIN 43729 ou equivalente, que forneça um grau de proteção de pelo menos IP6X conforme ABNT NBR IEC 60079-0 e ABNT NBR IEC 60079-31 "Equipamento proteção contra ignição por invólucro tD "que é adequado para a aplicação e instalado corretamente.

Entradas de cabos e elementos de supressão devem ser usados adequados à aplicação e instalados corretamente.

A temperatura máxima da superfície com uma camada de poeira de 5 mm é de $T 135^{\circ}\text{C}$.

Para instalação em minas, as seguintes instruções se aplicam:

O transmissor deve ser montado em um invólucro de metal que forneça um grau de proteção de pelo menos IP6X de acordo com a ABNT NBR IEC 60529 e seja adequado para a aplicação e instalado corretamente.

Entradas de cabos e elementos de supressão devem ser usados adequados à aplicação e instalados corretamente

Para instalação em atmosfera de gás potencialmente explosiva que requeira EPL Gc, aplicam-se as seguintes instruções:

O transmissor deve ser montado em um invólucro de acordo com a ABNT NBR IEC 60079-15, adequado para a aplicação e instalado corretamente.

Document history

The following list provides notes concerning revisions of this document.

Rev. ID	Date	Notes
114	1845	INMETRO certification changed to DEKRA.
115	2006	New NEPSI certificates and installation drawing.

We're here for you, all over the world

Our trusted red dot experts support you wherever you are

All our services are backed by deep industry experience and a 5-year warranty with a global product base, so you can receive personal red dot support and guidance, day-to-day, on-site, repair or delivery, change without the hassle of a time and ready-to-go accessible and easy-to-use documentation.

We are a leading global manufacturer and have authorized repair partners worldwide to ensure you can

with us globally with the global research that we can always rely on and always nearby and know your local markets well.

We are committed to your satisfaction and provide a PERFECT PERFORMANCE AS A SMART PARTNER and the world.

For more information on our warranty program to meet with the sales representatives in your region, visit red.dotted.com.

Benefit today from *PERFORMANCE MADE SMARTER*

PR electronics is the leading technology company specialized in making industrial process control safer, more reliable and more efficient. Since 1974, we have been dedicated to perfecting our core competence of innovating high precision technology with low power consumption. This dedication continues to set new standards for products communicating, monitoring and connecting our customers' process measurement points to their process control systems.

Our innovative, patented technologies are derived from our extensive R&D facilities and from having a great understanding of our customers' needs and processes. We are guided by principles of simplicity, focus, courage and excellence, enabling some of the world's greatest companies to achieve PERFORMANCE MADE SMARTER.